

# ワイドフリューム



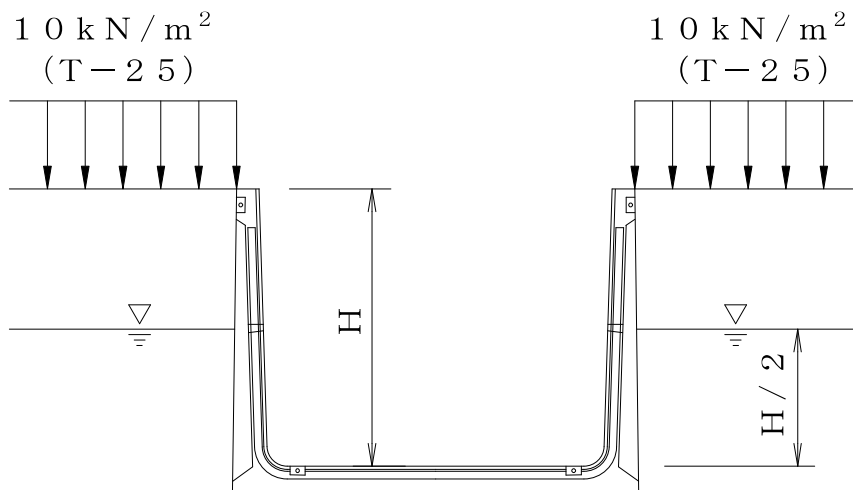
## ●特長

- 用水タイプ、排水タイプが可能です。
- コンクリート二次製品のため工期の短縮が図れます。
- ボルト締付による不等沈下の防止ができます。
- 目地部にシーリング材を使用すれば止水も万全です。
- 設計荷重がT-25です。

## ▼設計条件

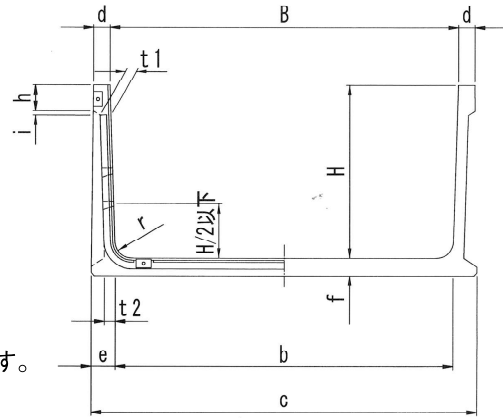
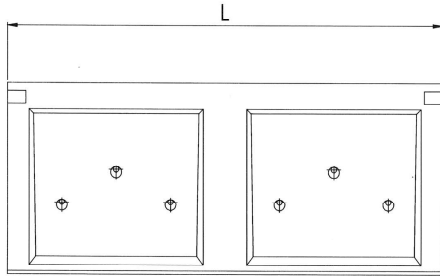
土の単位体積質量  $\gamma_s = 18 \text{ kN/m}^3$

土の内部摩擦角  $\phi = 30^\circ$





## 規格図



※参考側面図は、排水タイプ製品です。  
用水タイプ製品は、側面の孔が上部2箇所となります。

### H=500

| 呼び名<br>H | B     | 参考質量<br>(kg) | 寸法 (mm) |       |    |    |    |     |    |    |    |    |       |
|----------|-------|--------------|---------|-------|----|----|----|-----|----|----|----|----|-------|
|          |       |              | b       | c     | d  | e  | f  | h   | i  | t1 | t2 | r  | L     |
| 500      | 300   | 374          | 250     | 420   | 60 | 85 | 65 | 120 | 20 | 40 | 40 | 60 | 2,000 |
|          | 400   | 405          | 350     | 520   |    |    |    |     |    |    |    |    |       |
|          | 500   | 436          | 450     | 620   |    |    |    |     |    |    |    |    |       |
|          | 600   | 466          | 550     | 720   |    |    |    |     |    |    |    |    |       |
|          | 700   | 497          | 650     | 820   |    |    |    |     |    |    |    |    |       |
|          | 800   | 527          | 750     | 920   |    |    |    |     |    |    |    |    |       |
|          | 900   | 558          | 850     | 1,020 |    |    |    |     |    |    |    |    |       |
|          | 1,000 | 588          | 950     | 1,120 |    |    |    |     |    |    |    |    |       |

### H=600

| 呼び名<br>H | B     | 参考質量<br>(kg) | 寸法 (mm) |       |    |    |    |     |    |    |    |    |       |
|----------|-------|--------------|---------|-------|----|----|----|-----|----|----|----|----|-------|
|          |       |              | b       | c     | d  | e  | f  | h   | i  | t1 | t2 | r  | L     |
| 600      | 400   | 462          | 350     | 542   | 60 | 95 | 65 | 120 | 20 | 40 | 40 | 60 | 2,000 |
|          | 500   | 493          | 450     | 642   |    |    |    |     |    |    |    |    |       |
|          | 600   | 524          | 550     | 742   |    |    |    |     |    |    |    |    |       |
|          | 700   | 554          | 650     | 842   |    |    |    |     |    |    |    |    |       |
|          | 800   | 585          | 750     | 942   |    |    |    |     |    |    |    |    |       |
|          | 900   | 615          | 850     | 1,042 |    |    |    |     |    |    |    |    |       |
|          | 1,000 | 646          | 950     | 1,142 |    |    |    |     |    |    |    |    |       |
|          | 1,100 | 676          | 1,050   | 1,242 |    |    |    |     |    |    |    |    |       |
|          | 1,200 | 707          | 1,150   | 1,342 |    |    |    |     |    |    |    |    |       |

※この規格以外の寸法も承ります。

※土地改良事業計画基準「水路工」に準拠した製品の農業土木型については、ご相談ください。



目次  
索引  
推奨商品  
オリジナル擁壁  
カルバート製品  
道路用製品  
環境保全製品  
河川用製品  
漆喰要領用製品  
フリューム  
農地用製品  
大型水路  
下水道製品  
パイプ  
その他取扱製品

## H=700

| 呼び名   |       | 参考質量<br>(kg) | 寸法 (mm) |       |    |     |    |     |    |     |     |    |       |
|-------|-------|--------------|---------|-------|----|-----|----|-----|----|-----|-----|----|-------|
| H     | B     |              | b       | c     | d  | e   | f  | h   | i  | t 1 | t 2 | r  | L     |
| 700   | 400   | 586          | 350     | 562   | 70 | 105 | 75 | 120 | 20 | 45  | 45  | 70 | 2,000 |
|       | 500   | 621          | 450     | 662   |    |     |    |     |    |     |     |    |       |
|       | 600   | 656          | 550     | 762   |    |     |    |     |    |     |     |    |       |
|       | 700   | 692          | 650     | 862   |    |     |    |     |    |     |     |    |       |
|       | 800   | 727          | 750     | 962   |    |     |    |     |    |     |     |    |       |
|       | 900   | 762          | 850     | 1,062 |    |     |    |     |    |     |     |    |       |
|       | 1,000 | 797          | 950     | 1,162 |    |     |    |     |    |     |     |    |       |
|       | 1,100 | 833          | 1,050   | 1,262 |    |     |    |     |    |     |     |    |       |
|       | 1,200 | 868          | 1,150   | 1,362 |    |     |    |     |    |     |     |    |       |
|       | 1,300 | 903          | 1,250   | 1,462 |    |     |    |     |    |     |     |    |       |
| 1,400 | 938   | 1,350        | 1,562   |       |    |     |    |     |    |     |     |    |       |

## H=800

| 呼び名   |       | 参考質量<br>(kg) | 寸法 (mm) |       |    |     |    |     |    |     |     |    |       |
|-------|-------|--------------|---------|-------|----|-----|----|-----|----|-----|-----|----|-------|
| H     | B     |              | b       | c     | d  | e   | f  | h   | i  | t 1 | t 2 | r  | L     |
| 800   | 500   | 731          | 450     | 672   | 75 | 110 | 80 | 120 | 20 | 50  | 50  | 80 | 2,000 |
|       | 600   | 769          | 550     | 772   |    |     |    |     |    |     |     |    |       |
|       | 700   | 806          | 650     | 872   |    |     |    |     |    |     |     |    |       |
|       | 800   | 844          | 750     | 972   |    |     |    |     |    |     |     |    |       |
|       | 900   | 882          | 850     | 1,072 |    |     |    |     |    |     |     |    |       |
|       | 1,000 | 919          | 950     | 1,172 |    |     |    |     |    |     |     |    |       |
|       | 1,100 | 957          | 1,050   | 1,272 |    |     |    |     |    |     |     |    |       |
|       | 1,200 | 994          | 1,150   | 1,372 |    |     |    |     |    |     |     |    |       |
|       | 1,300 | 1,032        | 1,250   | 1,472 |    |     |    |     |    |     |     |    |       |
|       | 1,400 | 1,070        | 1,350   | 1,572 |    |     |    |     |    |     |     |    |       |
| 1,500 | 1,107 | 1,450        | 1,672   |       |    |     |    |     |    |     |     |    |       |
| 1,600 | 1,145 | 1,550        | 1,772   |       |    |     |    |     |    |     |     |    |       |

## H=900

| 呼び名   |       | 参考質量<br>(kg) | 寸法 (mm) |       |    |     |    |     |    |     |     |    |       |
|-------|-------|--------------|---------|-------|----|-----|----|-----|----|-----|-----|----|-------|
| H     | B     |              | b       | c     | d  | e   | f  | h   | i  | t 1 | t 2 | r  | L     |
| 900   | 500   | 910          | 450     | 682   | 80 | 115 | 95 | 120 | 20 | 60  | 60  | 80 | 2,000 |
|       | 600   | 954          | 550     | 782   |    |     |    |     |    |     |     |    |       |
|       | 700   | 999          | 650     | 882   |    |     |    |     |    |     |     |    |       |
|       | 800   | 1,044        | 750     | 982   |    |     |    |     |    |     |     |    |       |
|       | 900   | 1,088        | 850     | 1,082 |    |     |    |     |    |     |     |    |       |
|       | 1,000 | 1,133        | 950     | 1,182 |    |     |    |     |    |     |     |    |       |
|       | 1,100 | 1,177        | 1,050   | 1,282 |    |     |    |     |    |     |     |    |       |
|       | 1,200 | 1,222        | 1,150   | 1,382 |    |     |    |     |    |     |     |    |       |
|       | 1,300 | 1,267        | 1,250   | 1,482 |    |     |    |     |    |     |     |    |       |
|       | 1,400 | 1,311        | 1,350   | 1,582 |    |     |    |     |    |     |     |    |       |
|       | 1,500 | 1,356        | 1,450   | 1,682 |    |     |    |     |    |     |     |    |       |
|       | 1,600 | 1,401        | 1,550   | 1,782 |    |     |    |     |    |     |     |    |       |
|       | 1,700 | 1,445        | 1,650   | 1,882 |    |     |    |     |    |     |     |    |       |
| 1,800 | 1,490 | 1,750        | 1,982   |       |    |     |    |     |    |     |     |    |       |

※この規格以外の寸法も承ります。

※土地改良事業計画基準「水路工」に準拠した製品の農業土木型については、ご相談ください。



- 目次
- 索引
- 推奨商品
- オリジナル擁壁
- カルバート製品
- 道路用製品
- 環境保全製品
- 河川用製品
- 透葎斜置管製品
- フリーム
- 農地用製品
- 大型水路
- 下水道製品
- パイプ
- その他取扱製品

## H=1,000

| 呼び名   |       | 参考質量<br>(kg) | 寸法 (mm) |       |    |     |     |     |    |    |    |    |       |
|-------|-------|--------------|---------|-------|----|-----|-----|-----|----|----|----|----|-------|
| H     | B     |              | b       | c     | d  | e   | f   | h   | i  | t1 | t2 | r  | L     |
| 1,000 | 500   | 1,025        | 450     | 692   | 85 | 120 | 105 | 120 | 25 | 60 | 60 | 80 | 2,000 |
|       | 600   | 1,074        | 550     | 792   |    |     |     |     |    |    |    |    |       |
|       | 700   | 1,123        | 650     | 892   |    |     |     |     |    |    |    |    |       |
|       | 800   | 1,173        | 750     | 992   |    |     |     |     |    |    |    |    |       |
|       | 900   | 1,222        | 850     | 1,092 |    |     |     |     |    |    |    |    |       |
|       | 1,000 | 1,271        | 950     | 1,192 |    |     |     |     |    |    |    |    |       |
|       | 1,100 | 1,321        | 1,050   | 1,292 |    |     |     |     |    |    |    |    |       |
|       | 1,200 | 1,370        | 1,150   | 1,392 |    |     |     |     |    |    |    |    |       |
|       | 1,300 | 1,419        | 1,250   | 1,492 |    |     |     |     |    |    |    |    |       |
|       | 1,400 | 1,469        | 1,350   | 1,592 |    |     |     |     |    |    |    |    |       |
|       | 1,500 | 1,518        | 1,450   | 1,692 |    |     |     |     |    |    |    |    |       |
|       | 1,600 | 1,567        | 1,550   | 1,792 |    |     |     |     |    |    |    |    |       |
|       | 1,700 | 1,617        | 1,650   | 1,892 |    |     |     |     |    |    |    |    |       |
|       | 1,800 | 1,666        | 1,750   | 1,992 |    |     |     |     |    |    |    |    |       |
| 1,900 | 1,751 | 1,850        | 2,092   |       |    |     |     |     |    |    |    |    |       |
| 2,000 | 1,765 | 1,950        | 2,192   |       |    |     |     |     |    |    |    |    |       |

## H=1,100

| 呼び名   |       | 参考質量<br>(kg) | 寸法 (mm) |       |    |     |     |     |    |    |    |    |       |
|-------|-------|--------------|---------|-------|----|-----|-----|-----|----|----|----|----|-------|
| H     | B     |              | b       | c     | d  | e   | f   | h   | i  | t1 | t2 | r  | L     |
| 1,100 | 600   | 1,187        | 550     | 812   | 90 | 130 | 110 | 120 | 25 | 60 | 60 | 80 | 2,000 |
|       | 700   | 1,239        | 650     | 912   |    |     |     |     |    |    |    |    |       |
|       | 800   | 1,290        | 750     | 1,012 |    |     |     |     |    |    |    |    |       |
|       | 900   | 1,342        | 850     | 1,112 |    |     |     |     |    |    |    |    |       |
|       | 1,000 | 1,394        | 950     | 1,212 |    |     |     |     |    |    |    |    |       |
|       | 1,100 | 1,446        | 1,050   | 1,312 |    |     |     |     |    |    |    |    |       |
|       | 1,200 | 1,497        | 1,150   | 1,412 |    |     |     |     |    |    |    |    |       |
|       | 1,300 | 1,549        | 1,250   | 1,512 |    |     |     |     |    |    |    |    |       |
|       | 1,400 | 1,601        | 1,350   | 1,612 |    |     |     |     |    |    |    |    |       |
|       | 1,500 | 1,652        | 1,450   | 1,712 |    |     |     |     |    |    |    |    |       |
|       | 1,600 | 1,704        | 1,550   | 1,812 |    |     |     |     |    |    |    |    |       |
|       | 1,700 | 1,756        | 1,650   | 1,912 |    |     |     |     |    |    |    |    |       |
|       | 1,800 | 1,807        | 1,750   | 2,012 |    |     |     |     |    |    |    |    |       |
|       | 1,900 | 1,859        | 1,850   | 2,112 |    |     |     |     |    |    |    |    |       |
|       | 2,000 | 1,911        | 1,950   | 2,212 |    |     |     |     |    |    |    |    |       |
|       | 2,100 | 1,963        | 2,050   | 2,312 |    |     |     |     |    |    |    |    |       |
| 2,200 | 2,014 | 2,150        | 2,412   |       |    |     |     |     |    |    |    |    |       |

※この規格以外の寸法も承ります。

※土地改良事業計画基準「水路工」に準拠した製品の農業土木型については、ご相談ください。



目次  
索引  
推奨商品  
オリジナル擁壁  
カルバート製品  
道路用製品  
環境保全製品  
河川用製品  
湧斜奥用製品  
フリューム  
農地用製品  
大型水路  
下水道製品  
パイプ  
その他取扱製品

## H = 1,200

| 呼び名   |       | 参考質量<br>(kg) | 寸法 (mm) |       |    |     |     |     |    |     |     |    |       |
|-------|-------|--------------|---------|-------|----|-----|-----|-----|----|-----|-----|----|-------|
| H     | B     |              | b       | c     | d  | e   | f   | h   | i  | t 1 | t 2 | r  | L     |
| 1,200 | 700   | 1,330        | 650     | 935   | 90 | 140 | 110 | 120 | 30 | 60  | 60  | 80 | 2,000 |
|       | 800   | 1,382        | 750     | 1,035 |    |     |     |     |    |     |     |    |       |
|       | 900   | 1,433        | 850     | 1,135 |    |     |     |     |    |     |     |    |       |
|       | 1,000 | 1,485        | 950     | 1,235 |    |     |     |     |    |     |     |    |       |
|       | 1,100 | 1,537        | 1,050   | 1,335 |    |     |     |     |    |     |     |    |       |
|       | 1,200 | 1,588        | 1,150   | 1,435 |    |     |     |     |    |     |     |    |       |
|       | 1,300 | 1,640        | 1,250   | 1,535 |    |     |     |     |    |     |     |    |       |
|       | 1,400 | 1,692        | 1,350   | 1,635 |    |     |     |     |    |     |     |    |       |
|       | 1,500 | 1,743        | 1,450   | 1,735 |    |     |     |     |    |     |     |    |       |
|       | 1,600 | 1,795        | 1,550   | 1,835 |    |     |     |     |    |     |     |    |       |
|       | 1,700 | 1,847        | 1,650   | 1,935 |    |     |     |     |    |     |     |    |       |
|       | 1,800 | 1,899        | 1,750   | 2,035 |    |     |     |     |    |     |     |    |       |
|       | 1,900 | 1,950        | 1,850   | 2,135 |    |     |     |     |    |     |     |    |       |
|       | 2,000 | 2,002        | 1,950   | 2,235 |    |     |     |     |    |     |     |    |       |
|       | 2,100 | 2,054        | 2,050   | 2,335 |    |     |     |     |    |     |     |    |       |
|       | 2,200 | 2,105        | 2,150   | 2,435 |    |     |     |     |    |     |     |    |       |
| 2,300 | 2,157 | 2,250        | 2,535   |       |    |     |     |     |    |     |     |    |       |
| 2,400 | 2,209 | 2,350        | 2,635   |       |    |     |     |     |    |     |     |    |       |

## H = 1,300

| 呼び名   |       | 参考質量<br>(kg) | 寸法 (mm) |       |    |     |     |     |    |     |     |     |       |
|-------|-------|--------------|---------|-------|----|-----|-----|-----|----|-----|-----|-----|-------|
| H     | B     |              | b       | c     | d  | e   | f   | h   | i  | t 1 | t 2 | r   | L     |
| 1,300 | 800   | 1,547        | 670     | 990   | 95 | 160 | 125 | 120 | 30 | 50  | 70  | 100 | 2,000 |
|       | 900   | 1,606        | 770     | 1,090 |    |     |     |     |    |     |     |     |       |
|       | 1,000 | 1,665        | 870     | 1,190 |    |     |     |     |    |     |     |     |       |
|       | 1,100 | 1,724        | 970     | 1,290 |    |     |     |     |    |     |     |     |       |
|       | 1,200 | 1,782        | 1,070   | 1,390 |    |     |     |     |    |     |     |     |       |
|       | 1,300 | 1,841        | 1,170   | 1,490 |    |     |     |     |    |     |     |     |       |
|       | 1,400 | 1,900        | 1,270   | 1,590 |    |     |     |     |    |     |     |     |       |
|       | 1,500 | 1,959        | 1,370   | 1,690 |    |     |     |     |    |     |     |     |       |
|       | 1,600 | 2,017        | 1,470   | 1,790 |    |     |     |     |    |     |     |     |       |
|       | 1,700 | 2,076        | 1,570   | 1,890 |    |     |     |     |    |     |     |     |       |
|       | 1,800 | 2,135        | 1,670   | 1,990 |    |     |     |     |    |     |     |     |       |
|       | 1,900 | 2,194        | 1,770   | 2,090 |    |     |     |     |    |     |     |     |       |
|       | 2,000 | 2,252        | 1,870   | 2,190 |    |     |     |     |    |     |     |     |       |
|       | 2,100 | 2,311        | 1,970   | 2,290 |    |     |     |     |    |     |     |     |       |
|       | 2,200 | 2,370        | 2,070   | 2,390 |    |     |     |     |    |     |     |     |       |
|       | 2,300 | 2,429        | 2,170   | 2,490 |    |     |     |     |    |     |     |     |       |
| 2,400 | 2,487 | 2,270        | 2,590   |       |    |     |     |     |    |     |     |     |       |
| 2,500 | 2,546 | 2,370        | 2,690   |       |    |     |     |     |    |     |     |     |       |
| 2,600 | 2,605 | 2,470        | 2,790   |       |    |     |     |     |    |     |     |     |       |

※この規格以外の寸法も承ります。

※土地改良事業計画基準「水路工」に準拠した製品の農業土木型については、ご相談ください。

## H = 1,400

| 呼び名   |       | 参考質量<br>(kg) | 寸法 (mm) |       |    |     |     |     |    |    |    |     |       |
|-------|-------|--------------|---------|-------|----|-----|-----|-----|----|----|----|-----|-------|
| H     | B     |              | b       | c     | d  | e   | f   | h   | i  | t1 | t2 | r   | L     |
| 1,400 | 900   | 1,662        | 760     | 1,080 | 90 | 160 | 125 | 120 | 30 | 50 | 70 | 100 | 2,000 |
|       | 1,000 | 1,720        | 860     | 1,180 |    |     |     |     |    |    |    |     |       |
|       | 1,100 | 1,779        | 960     | 1,280 |    |     |     |     |    |    |    |     |       |
|       | 1,200 | 1,838        | 1,060   | 1,380 |    |     |     |     |    |    |    |     |       |
|       | 1,300 | 1,897        | 1,160   | 1,480 |    |     |     |     |    |    |    |     |       |
|       | 1,400 | 1,955        | 1,260   | 1,580 |    |     |     |     |    |    |    |     |       |
|       | 1,500 | 2,014        | 1,360   | 1,680 |    |     |     |     |    |    |    |     |       |
|       | 1,600 | 2,073        | 1,460   | 1,780 |    |     |     |     |    |    |    |     |       |
|       | 1,700 | 2,132        | 1,560   | 1,880 |    |     |     |     |    |    |    |     |       |
|       | 1,800 | 2,190        | 1,660   | 1,980 |    |     |     |     |    |    |    |     |       |
|       | 1,900 | 2,249        | 1,760   | 2,080 |    |     |     |     |    |    |    |     |       |
|       | 2,000 | 2,308        | 1,860   | 2,180 |    |     |     |     |    |    |    |     |       |
|       | 2,100 | 2,367        | 1,960   | 2,280 |    |     |     |     |    |    |    |     |       |
|       | 2,200 | 2,425        | 2,060   | 2,380 |    |     |     |     |    |    |    |     |       |
|       | 2,300 | 2,484        | 2,160   | 2,480 |    |     |     |     |    |    |    |     |       |
|       | 2,400 | 2,543        | 2,260   | 2,580 |    |     |     |     |    |    |    |     |       |
|       | 2,500 | 2,602        | 2,360   | 2,680 |    |     |     |     |    |    |    |     |       |
| 2,600 | 2,660 | 2,460        | 2,780   |       |    |     |     |     |    |    |    |     |       |
| 2,700 | 2,719 | 2,560        | 2,880   |       |    |     |     |     |    |    |    |     |       |
| 2,800 | 2,778 | 2,660        | 2,980   |       |    |     |     |     |    |    |    |     |       |

## H = 1,500

| 呼び名   |       | 参考質量<br>(kg) | 寸法 (mm) |       |     |     |     |     |    |    |    |     |       |
|-------|-------|--------------|---------|-------|-----|-----|-----|-----|----|----|----|-----|-------|
| H     | B     |              | b       | c     | d   | e   | f   | h   | i  | t1 | t2 | r   | L     |
| 1,500 | 900   | 1,946        | 750     | 1,100 | 100 | 175 | 140 | 120 | 30 | 50 | 80 | 150 | 2,000 |
|       | 1,000 | 2,012        | 850     | 1,200 |     |     |     |     |    |    |    |     |       |
|       | 1,100 | 2,077        | 950     | 1,300 |     |     |     |     |    |    |    |     |       |
|       | 1,200 | 2,143        | 1,050   | 1,400 |     |     |     |     |    |    |    |     |       |
|       | 1,300 | 2,209        | 1,150   | 1,500 |     |     |     |     |    |    |    |     |       |
|       | 1,400 | 2,275        | 1,250   | 1,600 |     |     |     |     |    |    |    |     |       |
|       | 1,500 | 2,341        | 1,350   | 1,700 |     |     |     |     |    |    |    |     |       |
|       | 1,600 | 2,406        | 1,450   | 1,800 |     |     |     |     |    |    |    |     |       |
|       | 1,700 | 2,472        | 1,550   | 1,900 |     |     |     |     |    |    |    |     |       |
|       | 1,800 | 2,538        | 1,650   | 2,000 |     |     |     |     |    |    |    |     |       |
|       | 1,900 | 2,604        | 1,750   | 2,100 |     |     |     |     |    |    |    |     |       |
|       | 2,000 | 2,670        | 1,850   | 2,200 |     |     |     |     |    |    |    |     |       |
|       | 2,100 | 2,735        | 1,950   | 2,300 |     |     |     |     |    |    |    |     |       |
|       | 2,200 | 2,801        | 2,050   | 2,400 |     |     |     |     |    |    |    |     |       |
|       | 2,300 | 2,867        | 2,150   | 2,500 |     |     |     |     |    |    |    |     |       |
|       | 2,400 | 2,933        | 2,250   | 2,600 |     |     |     |     |    |    |    |     |       |
|       | 2,500 | 2,999        | 2,350   | 2,700 |     |     |     |     |    |    |    |     |       |
|       | 2,600 | 3,064        | 2,450   | 2,800 |     |     |     |     |    |    |    |     |       |
|       | 2,700 | 3,130        | 2,550   | 2,900 |     |     |     |     |    |    |    |     |       |
| 2,800 | 3,196 | 2,650        | 3,000   |       |     |     |     |     |    |    |    |     |       |
| 2,900 | 3,262 | 2,750        | 3,100   |       |     |     |     |     |    |    |    |     |       |
| 3,000 | 3,328 | 2,850        | 3,200   |       |     |     |     |     |    |    |    |     |       |

※この規格以外の寸法も承ります。

※土地改良事業計画基準「水路工」に準拠した製品の農業土木型については、ご相談ください。